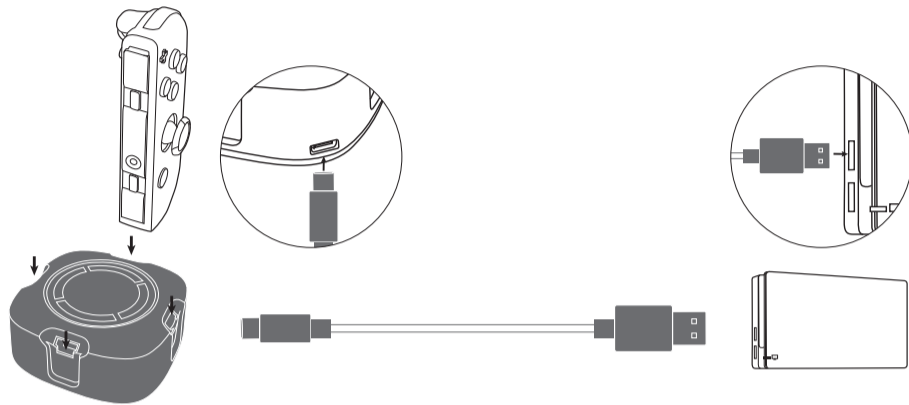


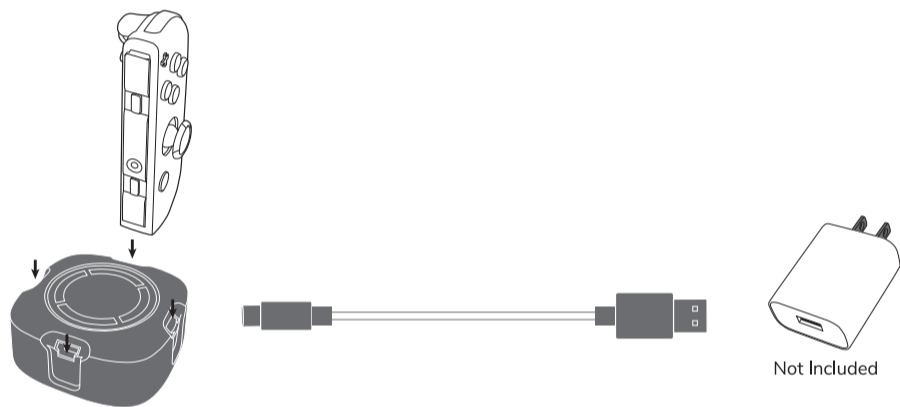
USER MANUAL

INSTALLATION & USE

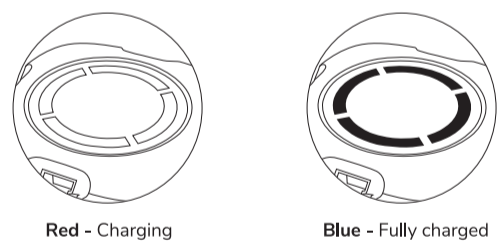
1. Insert the USB Type-C connector into the port on the back of your Charging Station, ensuring it clicks into place.
2. Insert the USB connector into any spare USB port on your Nintendo Switch Dock.
3. Slide your Joy-Con Controllers into the Charging Station facing forward and upright, ensuring they click into place.
4. When charging, the LED charging indicators will glow red for each Joy-Con Controller. Once fully charged it will turn blue.
5. To remove your Joy-Con Controllers from the Charging Station, press the small release button on the back of the Joy-Con Controller and slide upwards.



*If charge the devices directly, an AC Adapter is required (AC adapter sold separately)



Red LED while charging, turn to Blue when fully charged.



SPECIFICARIONS

Charging cable: USB-A to Type-C
Cable length: 80cm
Input power rating: DC5V/1A
Output power rating: DC5V/0.9A
Operating temperature: 5 C---35 C
Charging time: Approximately 3hrs