

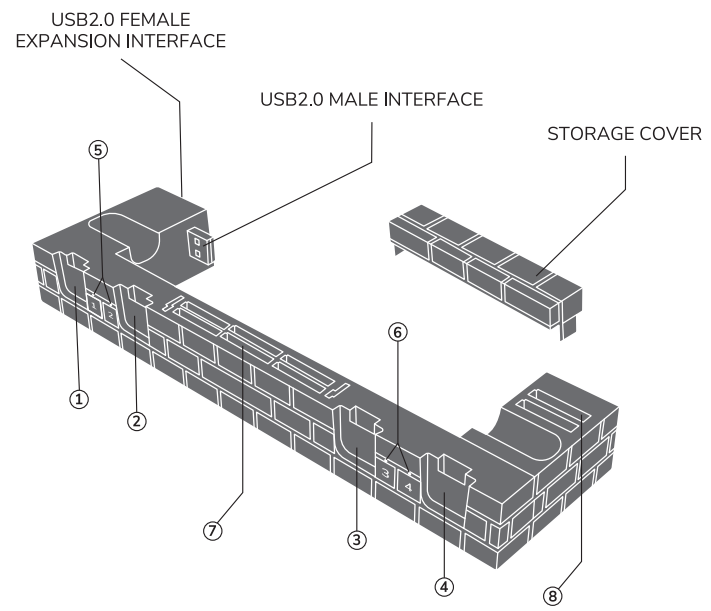
USER MANUAL

INSTALLATION & USE

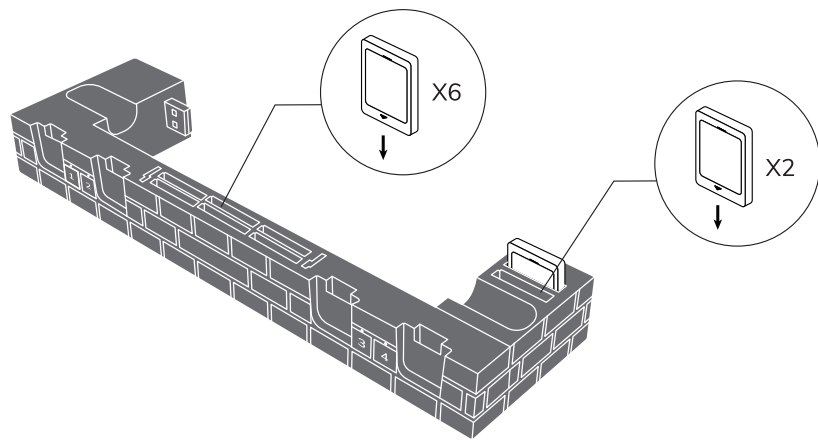
① ② ③ ④ : CHARGING SLOT FOR JOY-CON™

⑤ ⑥ : LED CHARGING INDICATOR

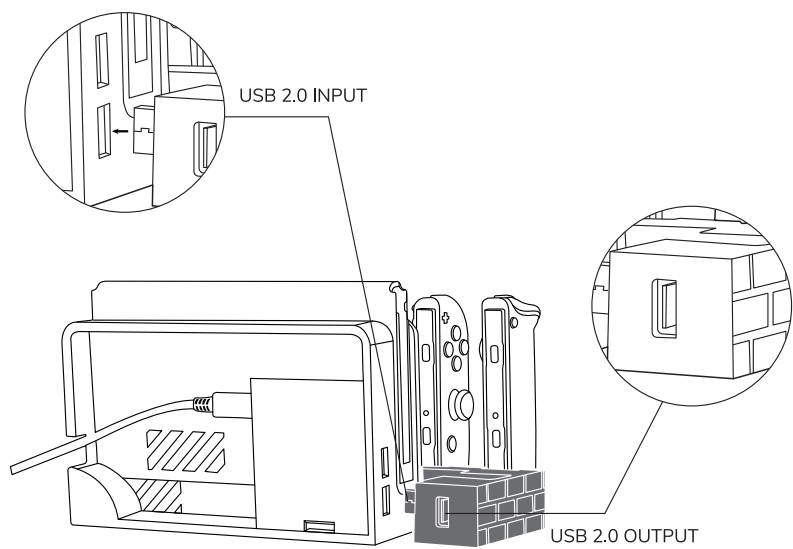
⑦ ⑧ : SLOTS FOR STORING GAME CARDS



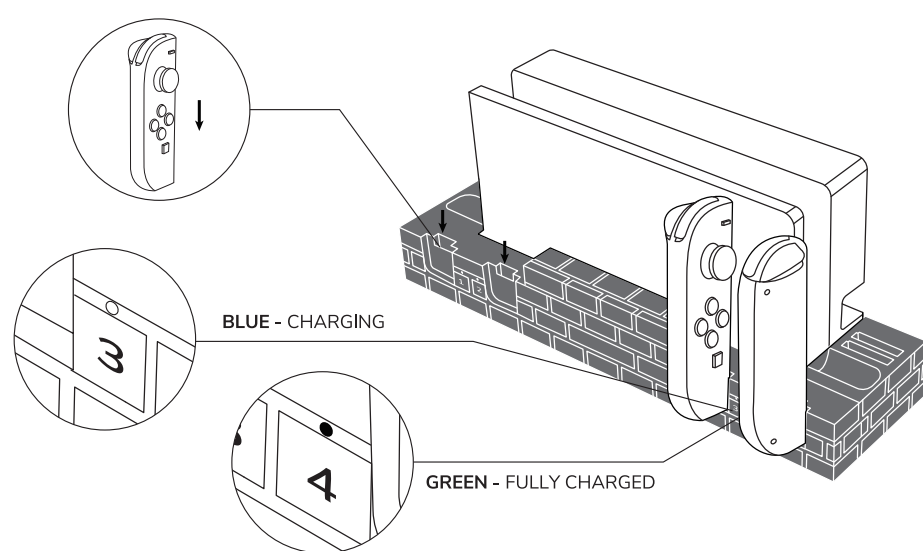
8 x slots for storing your game cards.



- ① Connect to the original console dock and make sure the devices connect properly.
- ② The 4 LEDs charging indicator next to the charging slots for Joy-Cons will be on once the original dock is powered on.
- ③ Place the console on the original dock to charge the console and Joy-Cons.
- ④ The output USB 2.0 port on the product supports DC5V charging power and data transfer functions.



- ⑤ Slide your Joycons to the charging slots.
 - Indicator LEDs in Blue when charging
 - LEDs turn Green once fully charged



SPECIFICARIONS

Input voltage: 5V
 Input current: 1A
 Output voltage: 5V
 Charging current: ≈200mA*4
 Rated power: 1W*4
 Charging time: 3 hours
 Operating temperature: 5 C --- 35 C